

# Amiga

## A2320\_R2

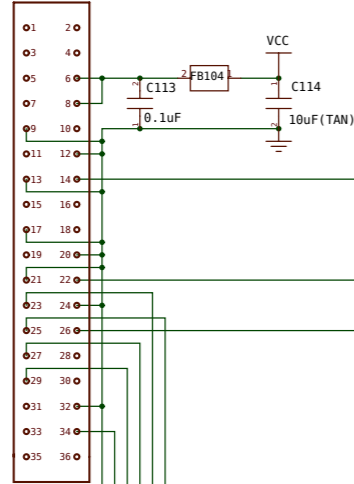
Rev.1.38 (10.09.2012)



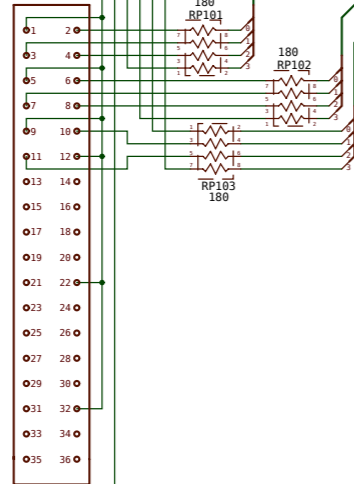
[www.amigawiki.org](http://www.amigawiki.org)

A2320 DISPLAY ENHANCER BOARD  
REV 2D/04

CN1  
36-PIN EDGE

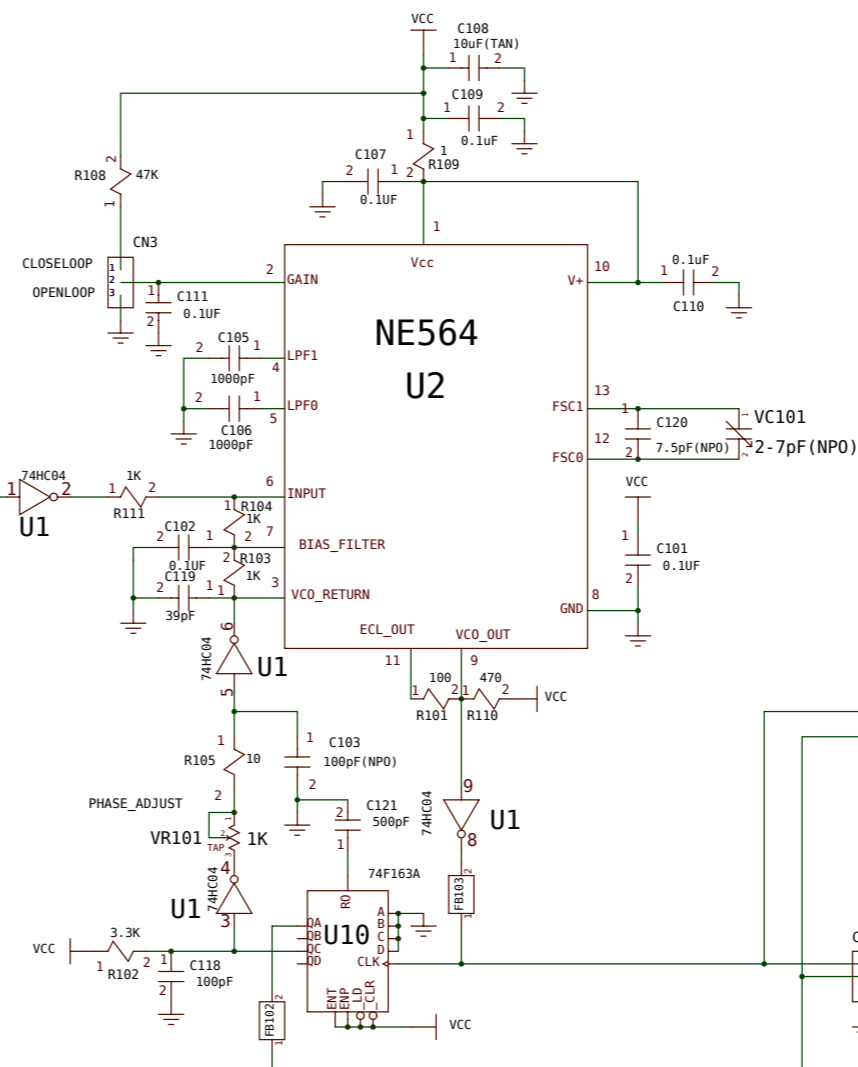


CN2  
36-PIN EDGE

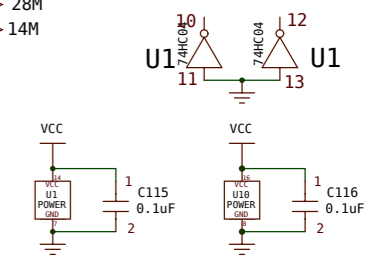


3 \_CSYNC  
3 \_HSYNC  
3 \_VSYNC

2,3 RED(3:0)  
2,3 GRN(3:0)  
2,3 BLU(3:0)



2,3 28M  
2,3 14M



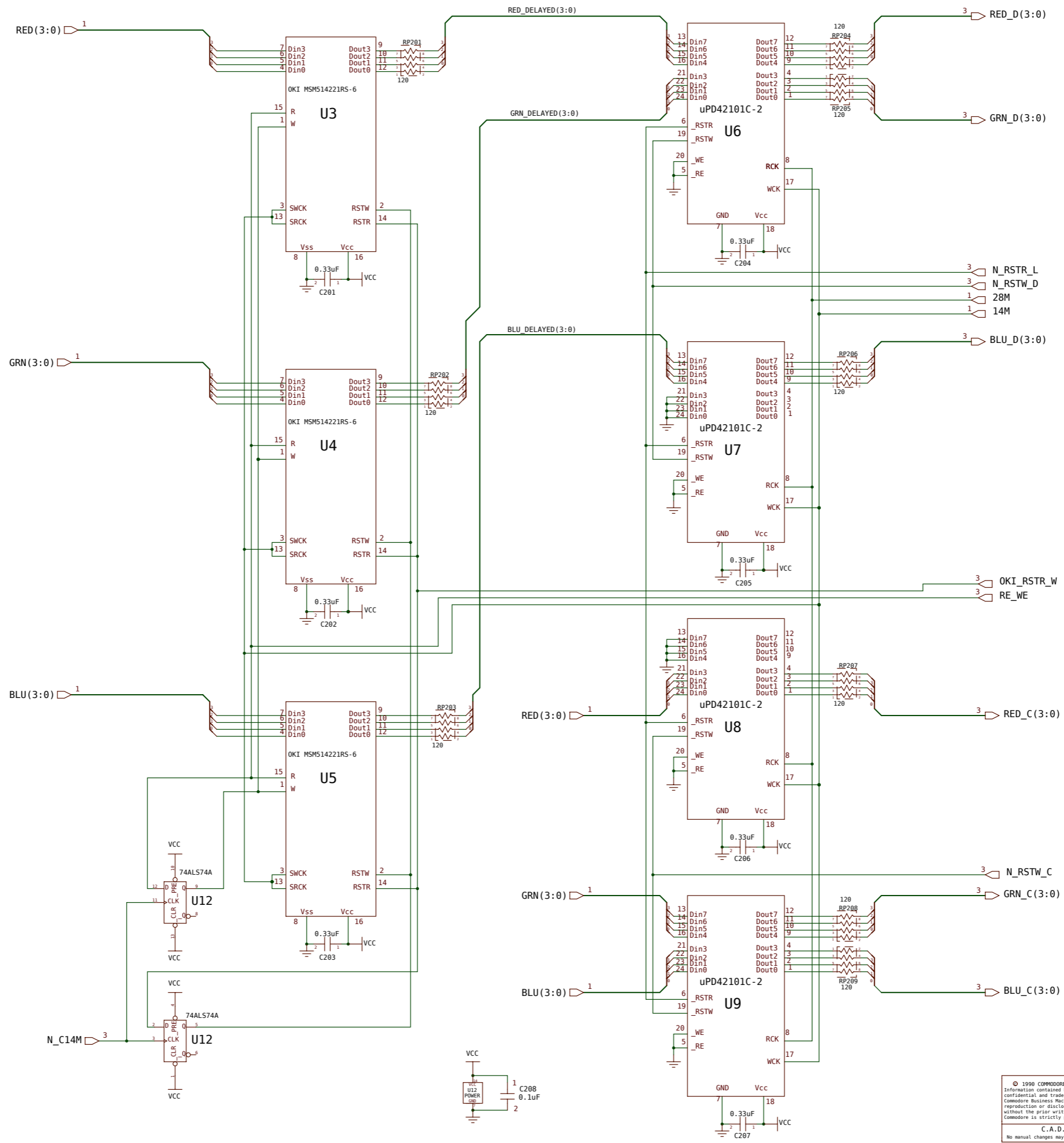
© 1990 COMMODORE BUSINESS MACHINES  
Information contained herein is the unpublished,  
confidential and trade secret property of  
Commodore Business Machines, Inc. Any use,  
reproduction or disclosure of this information  
without the prior written permission of  
Commodore is strictly prohibited.

C.A.D. Generated  
No manual changes may be made to this document

DESIGNED BY	DATE	SCALE
SCOTT HODD	1/27/90	
APP'D		
USED ON	SIZE	SHEET
A2320	C	20
		1 OF 3

Commodore  
A2320  
DISPLAY ENHANCER  
OKI/TI PCB  
310292  
SHEET 1 OF 3


Rev. 1.00 (10/05/2012)



Rev. 1.00 (10.05.2012)

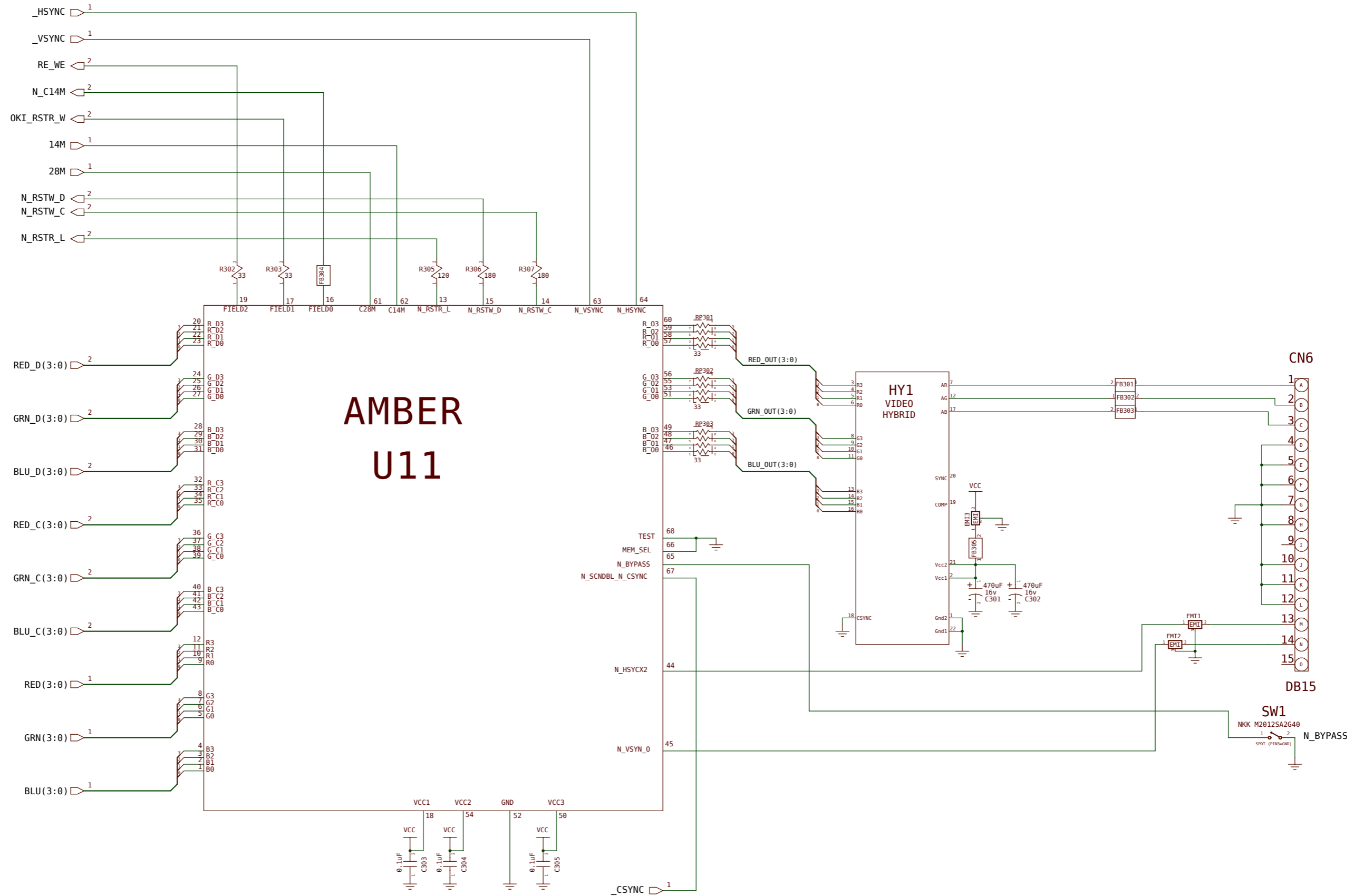
OKI/TI VIDEO FIELD MEMORY CIRCUIT

© 1990 COMMODORE BUSINESS MACHINES  
 Information contained herein is the unpublished,  
 confidential and trade secret property of  
 Commodore Business Machines, Inc. Any use,  
 reproduction or disclosure of this information  
 without the prior written permission of  
 Commodore is strictly prohibited.

	DRAWN BY: SCOTT HOOD DATE: 10/05/90 DESIGNED BY: S. HOOD CHECKED BY: USED ON NEXT ASSY: A2320	PROJECT: A2320 TITLE: DISPLAY ENHANCER PCB: OKI/TI PCB SIZE: C SCALE: 310292 REV: 2D SHEET: 2 OF 3
---	--	--

C.A.D. Generated  
 No manual changes may be made to this document

PATH: J:\650\H000\A2320\PCB\_SHEET2



# AMBER U11

© 1990 COMMODORE BUSINESS MACHINES  
Information contained herein is the unpublished, confidential and trade secret property of Commodore Business Machines, Inc. Any use, reproduction or disclosure of this information without the prior written permission of Commodore is strictly prohibited.

C.A.D. Generated  
No manual changes may be made to this document

BROWN BY: SCOTT MORSE	DATE: 10/19/89	Commodore
CHKD: S. MORSE	APPD: S. MORSE	A2320
USED ON: A2320	NEXT ASSY: C	DISPLAY ENHANCER OKI/TI PCB
SIZE: C	SCALE: 1:1	310292
SHEET: 3	OR: 3	20

PATH: /USER/M000/A2320001.PCB SHEET3

Rev. 1.00 (10.19.89)